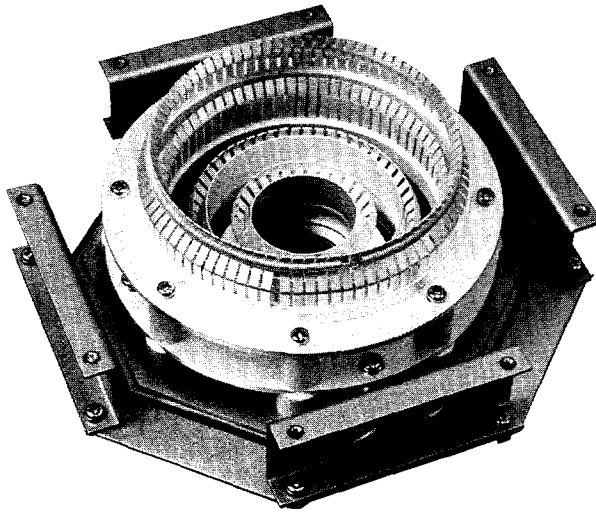


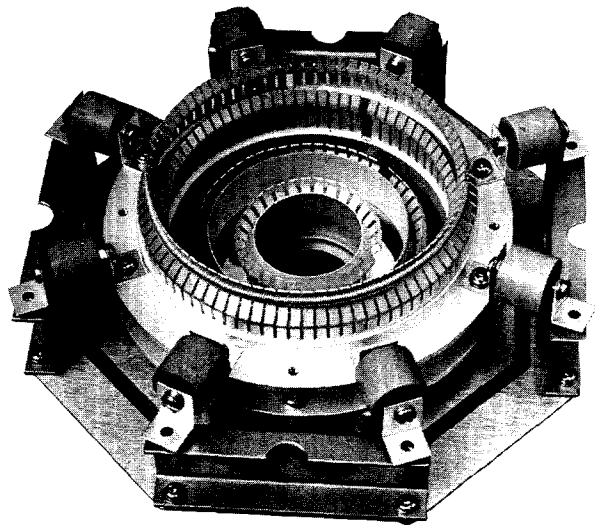


TECHNICAL DATA

SK-350 SK-360 AIR-SYSTEM SOCKETS



SK-350 Socket without SK-355
Capacitor Kit Installed



SK-360 Socket with SK-355
Capacitor Kit Installed

The SK-350 and SK-360 are Air-System sockets recommended for use with the tubes listed below. These sockets are designed for grid-driven VHF applications, having integral bypassing capacitance from each filament terminal to ground and directly across the filament terminals with metallized Kapton® dielectric capacitors. For screen grid bypassing, the EIMAC SK-355 bypass capacitor kit is available, which includes eight each 1000 pF @ 5000 DCV capacitors and mounting clips.

BASE CONNECTIONS

These sockets consist of four concentric rings of spring-finger contacts. Each socket is provided with two connectors for each inner and outer filament contacts. The control grid connection may be made to one or all of four control grid posts which have integral 8-32 threads. Screen connection may be made directly to the screen grid collet at any of eight places using 6-32 screws (provided) which retain the collet to insulators.

MAXIMUM WORKING VOLTAGES:

Screen Grid	3000 Vdc
Control Grid	1500 Vdc
Filament to Ground	2000 Vdc

MATERIALS AND FINISHES

The socket mounting brackets and body are made from alodined aluminum. The contact material is non-ferrous spring alloy (beryllium copper) heat treated for spring action and silver plated for good RF conductivity. The insulating sleeves for the screen grid collet are Rexolite® and the insulating posts are ceramic. The filament bypass capacitors are made from copper-clad Kapton® dielectric material, mounted between aluminum plates which form the body of the socket.

INSTALLATION

These sockets typically are mounted on a 1/8" chassis deck, partition or pressurized compartment. For the passage of cooling air, a hole diameter of 7.25" is required. For anode power dissipation above 5 kW, air passages in addition to those in the SK-350 or SK-360 may be required for low pressure drop. The socket is fastened in place with eight 6-32 screws (provided), using the stainless steel threaded inserts in the socket. A 1/8" chassis will allow installation of the SK-355 screen bypass capacitor kit. The SK-350 is recommended for use at VHF with the following tube types, with air chimney as shown:

4CX3500A SK-356 4CX7500A SK-346

The SK-360 is recommended for use at VHF with the following tube types, with air chimney as shown:

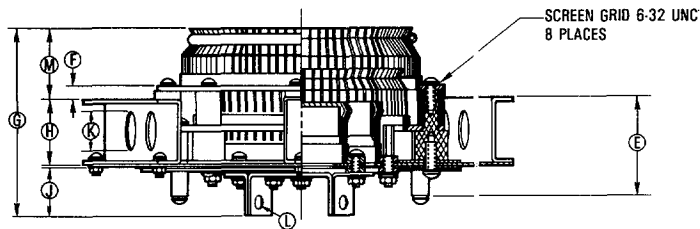
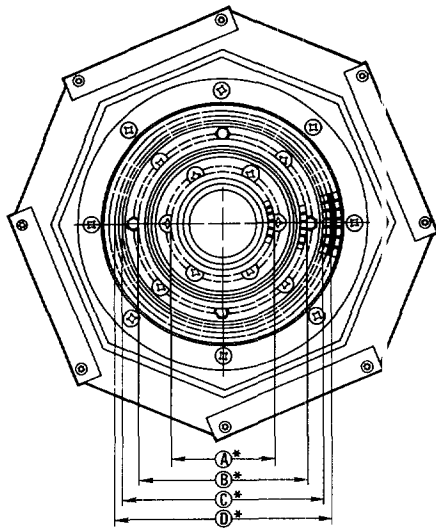
4CX5000A/8170	SK-356	4CX15,000J	SK-316	4CPW10,000R/9016	None Req'd
4CX5000R/8170W	SK-356	4CX15,000R	SK-316	4CW10,000A/8661	None Req'd
4CX5000J	SK-356	4CX20,000A/8990	SK-326	4CW10,000B	None Req'd
4CX10,000D/8171	SK-1306	4CX20,000B	SK-326	4CW25,000A	None Req'd
4CX10,000J	SK-1306	4CX20,000C	SK-326	4CW25,000B	None Req'd
4CX12,000A/8989	SK-336	4CX20,000D	SK-336		
4CX15,000A/8281	SK-316	4CX25,000A	SK-326		

Capacitance, Grid to Ground (Both Sockets - approximate)	31 pF
Net Weight (Either Socket)	3.1 lb, 1.4 kg

398550(Effective April 1985)
VA4802

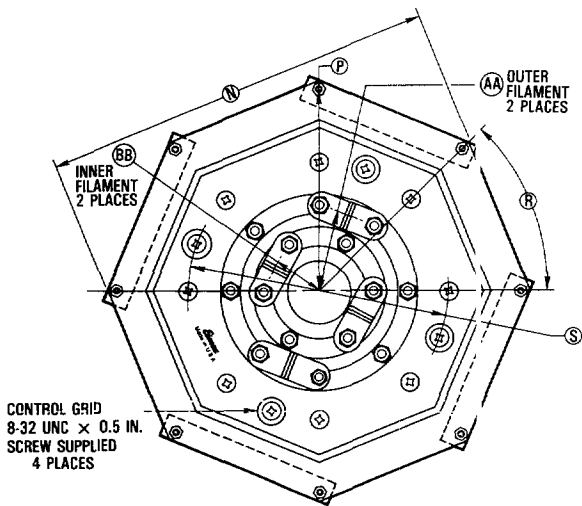
Printed in U.S.A.

SK-350

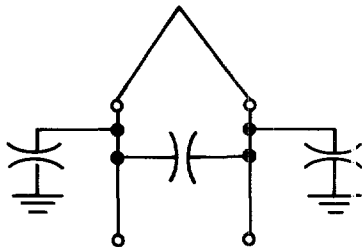


DIM	INCHES			MILLIMETERS		
	MIN	MAX	REF	MIN	MAX	REF
A	2.001	2.061		50.82	52.35	
B	3.251	3.311		82.57	84.10	
C	3.672	3.732		93.27	94.79	
D	3.880	3.940		98.55	100.08	
E	1.835	1.845		46.61	46.86	
F	0.136	0.146		3.45	3.78	
G	3.431	3.562		87.15	90.47	
H	1.234	1.265		31.34	32.13	
J	0.959	1.005		24.36	25.53	
K			0.750			19.05
L	0.235	0.265		5.97	6.73	
M	1.195	1.205		30.35	30.61	
N	7.484	7.516		190.09	190.91	
P			3.865			98.17
R			45°			45°
S			5.000			127.00
AA			1.575			40.00
BB			0.950			24.13

SK-360



FILAMENT SCHEMATIC



* KAPTON® FILM CAPACITORS, 5000 PF EACH (EIMAC PART NO. 243131)

DIM	INCHES			MILLIMETERS		
	MIN	MAX	REF	MIN	MAX	REF
A	2.001	2.061		50.82	52.35	
B	3.251	3.311		82.57	84.10	
C	3.672	3.732		93.27	94.79	
D	3.880	3.940		98.55	100.08	
E	1.935	1.945		49.15	49.40	
F	0.180	0.190		4.57	4.83	
G	3.486	3.617		88.54	91.87	
H	1.359	1.391		34.52	35.33	
J	0.959	1.005		24.36	25.53	
K			0.750			19.05
L	0.235	0.265		5.97	6.73	
M	1.288	1.298		32.7	32.97	
N	7.484	7.516		190.09	190.91	
P			3.865			98.17
R			45°			45°
S			5.000			127.00
AA			1.575			40.00
BB			0.950			24.13

NOTES:

1. REF DIMENSIONS ARE FOR INFO ONLY AND ARE NOT REQUIRED FOR INSPECTION PURPOSES.
2. TOLERANCES ARE NOT CUMULATIVE.
3. (*)CONTACT SURFACES.